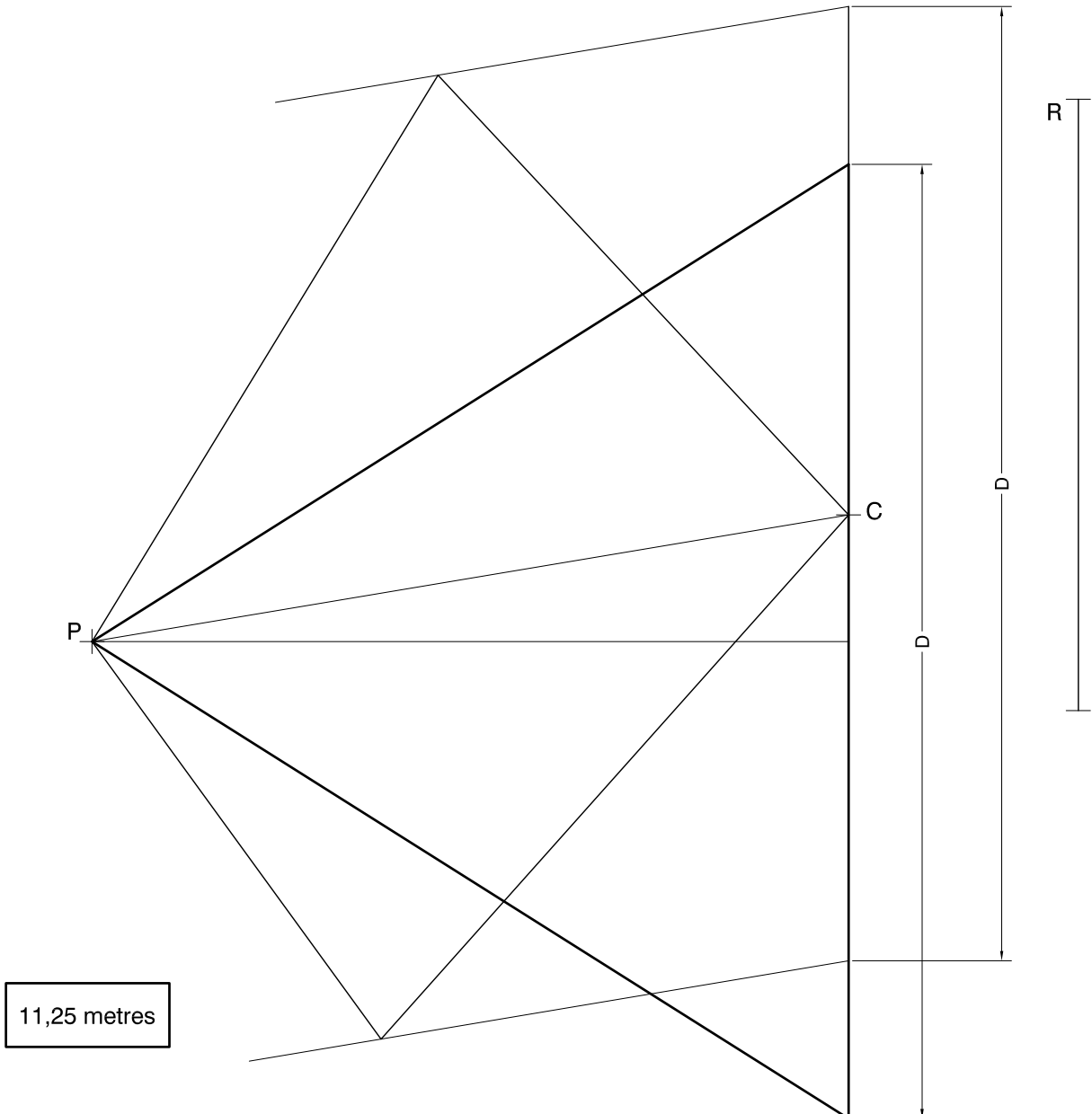
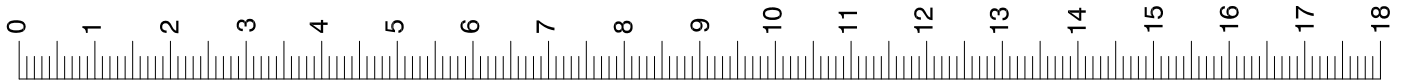
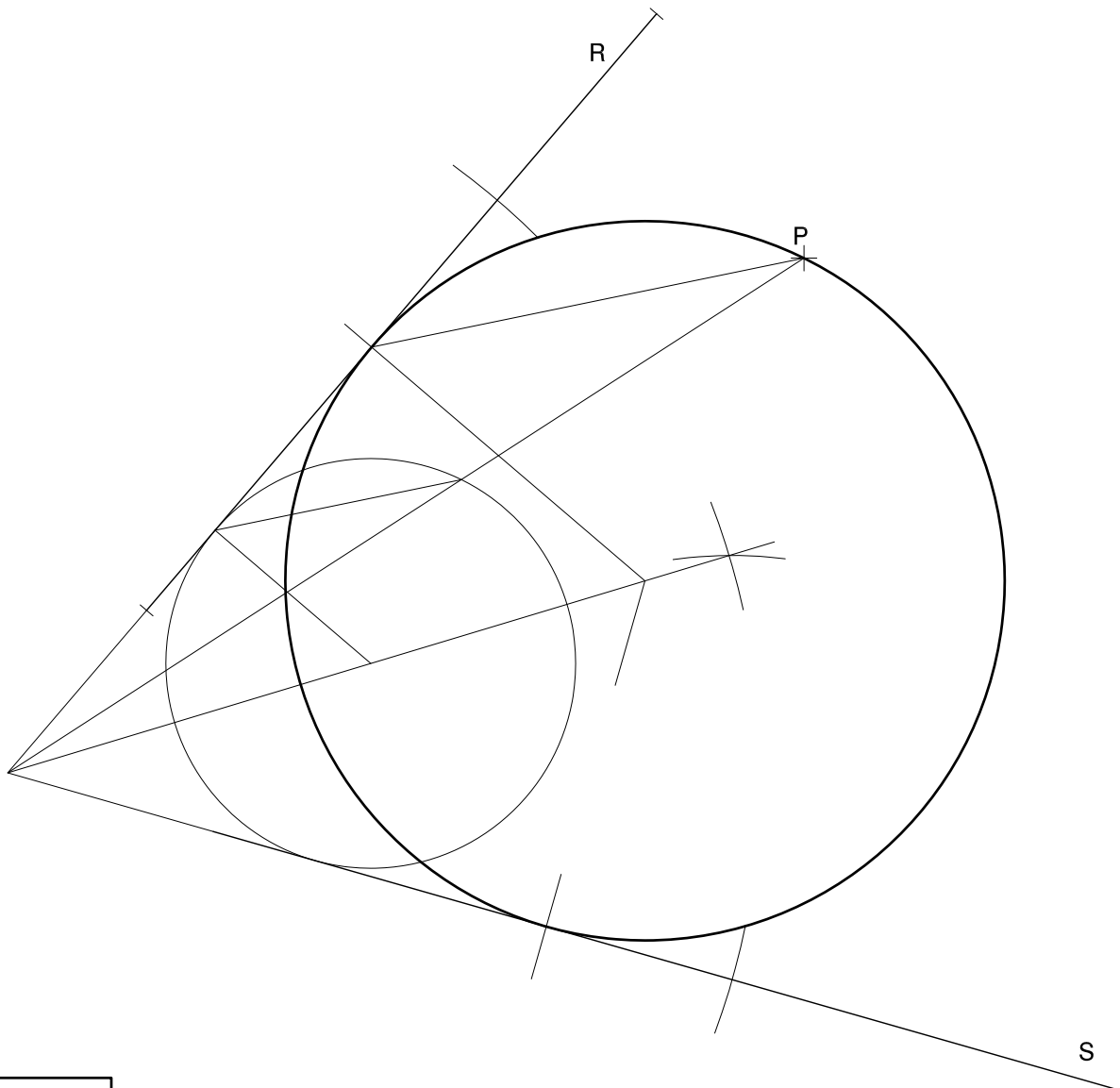


S3.1A

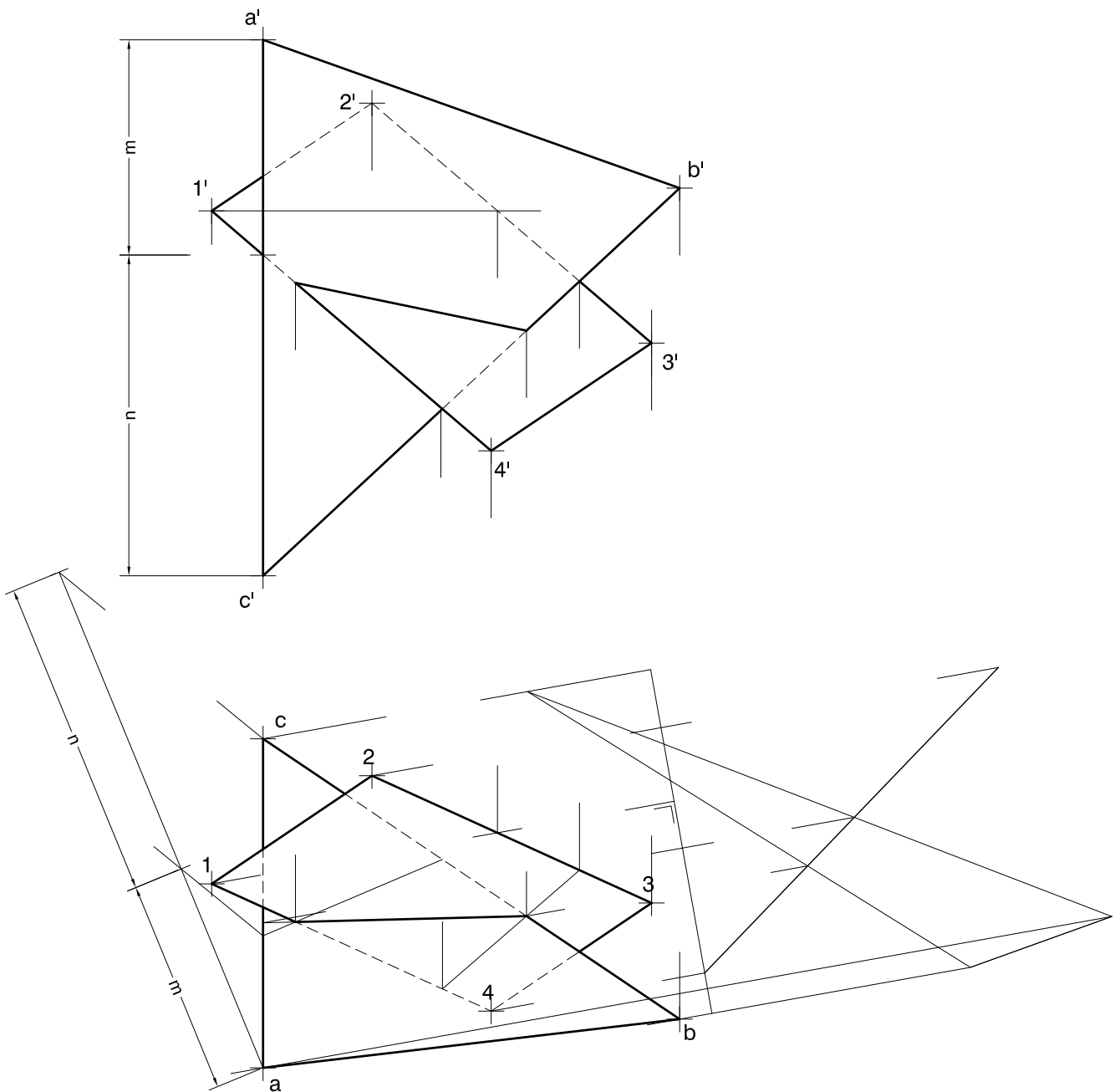
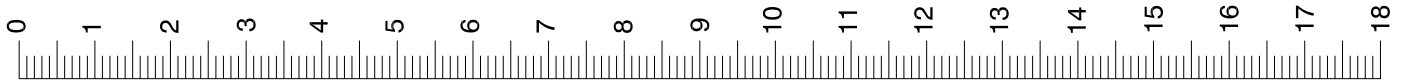


S3.1B

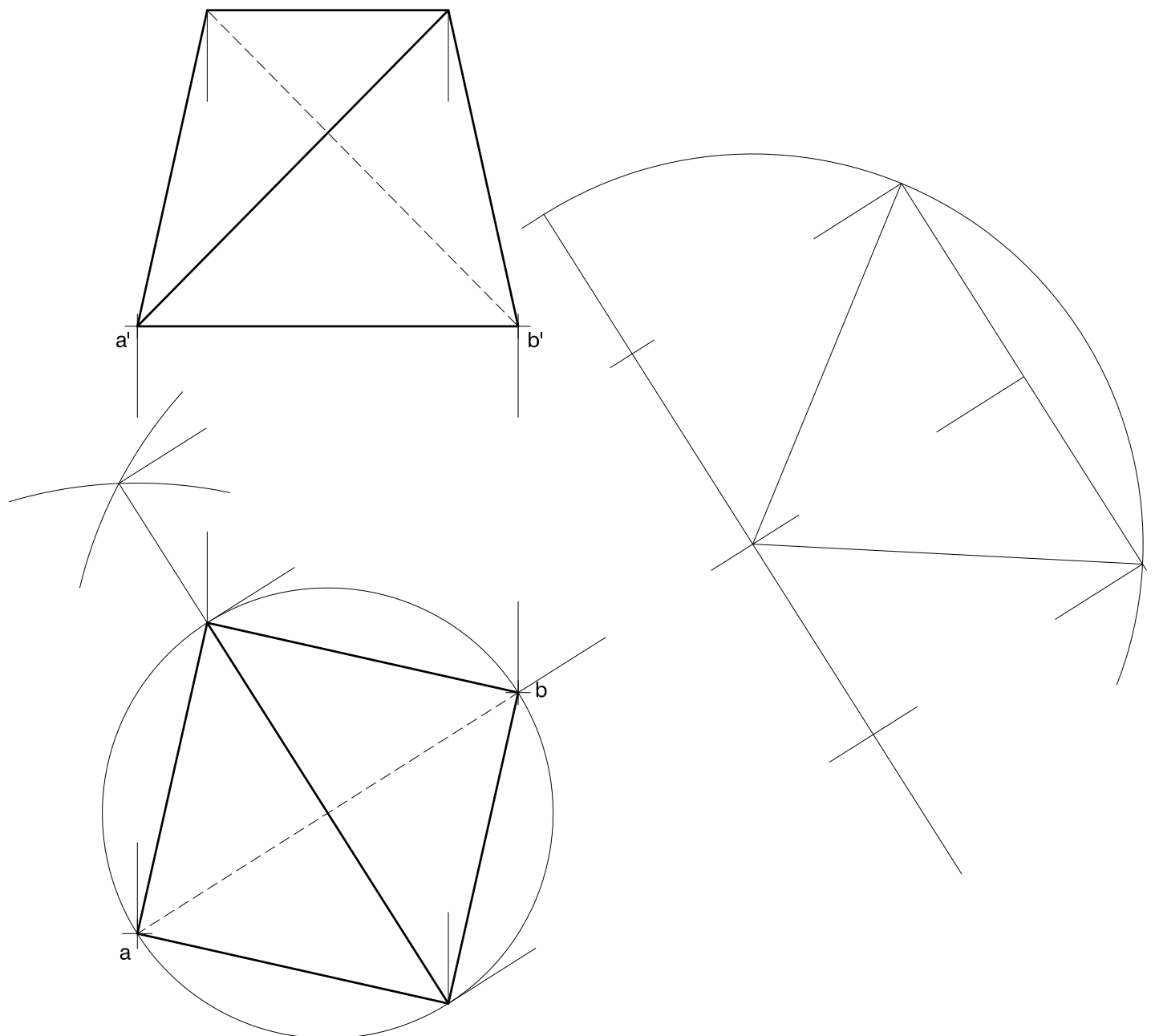
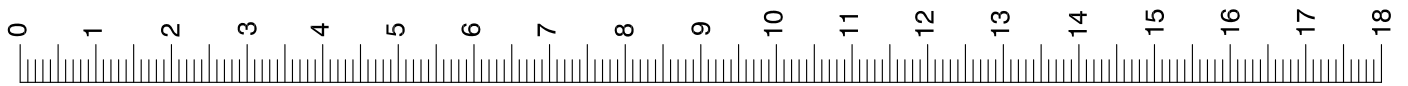


2,75 metres

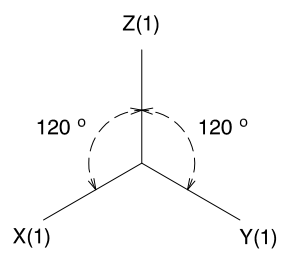
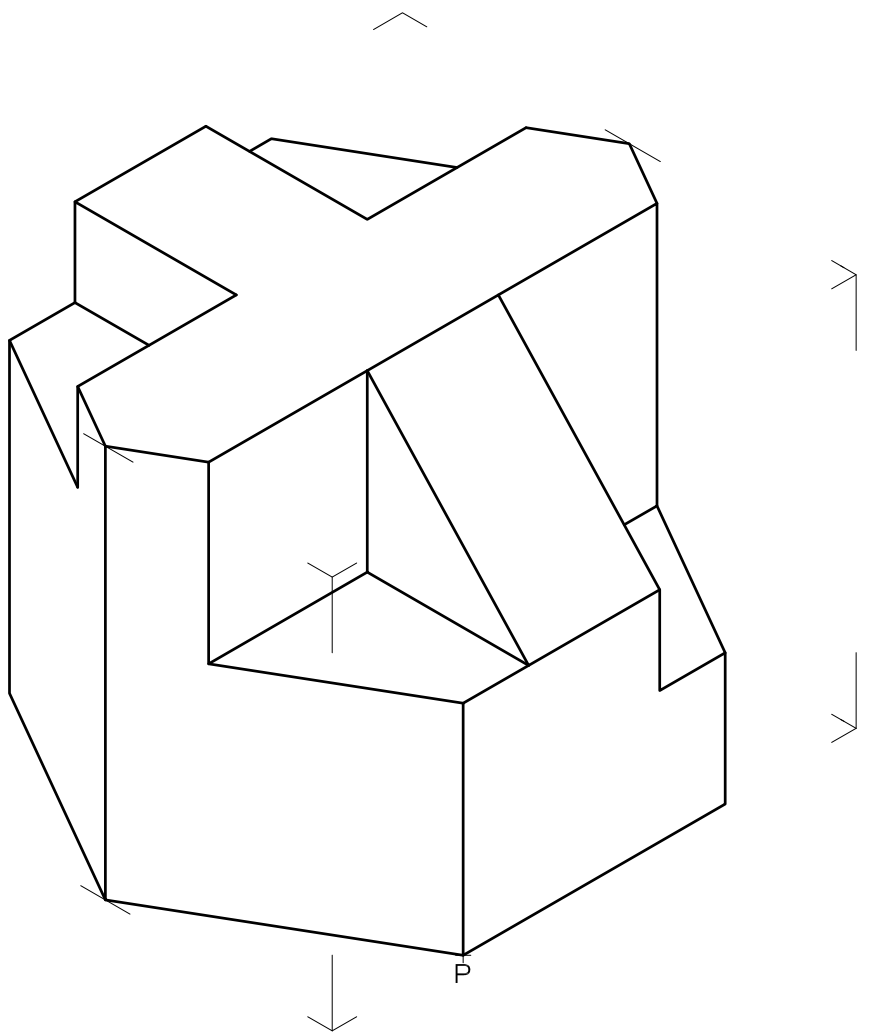
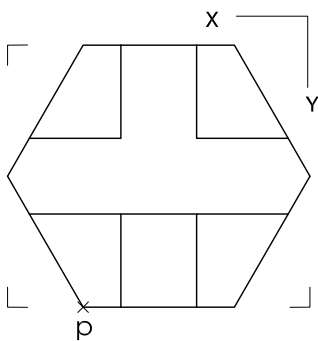
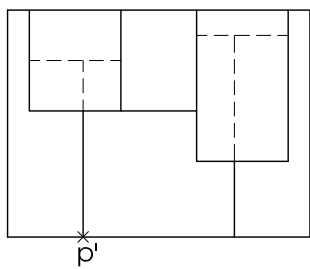
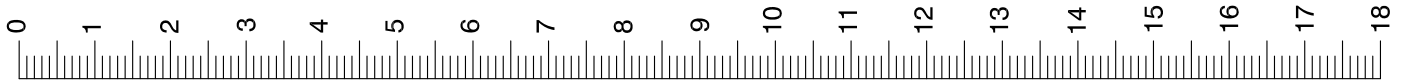
S3.2A



S3.2B



S3.3A



S3.3B

